



## BDS400 Inverted Biological Microscope

- New research and new development
- Apply to observation and cultivation for cell tissue
- Wide field eyepiece, view field up to  $\Phi 23\text{mm}$ , more comfortable for observation



BDS400 Inverted Biological Microscope



Long working distance condenser N.A. 0.30, Working distance: 72mm  
Working distance: 195mm (without condenser), available for extra high culture dish  
Large size stage, convenient for research. Size: 240mm (X) × 210 (Y) mm  
Mechanical stage available for 96 holes plate. Moving range: 128mm (X) × 80 (Y) mm



BDS400 Inverted Fluorescence Microscope

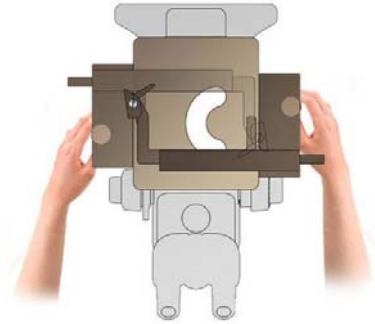
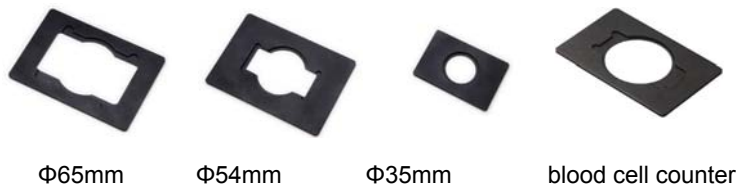


Large diameter quintuple nosepiece can be installed more objectives, more convenient for using.

Light distribution (both): 100 : 0 (100% for eyepiece);

80 : 20 (80% for trinocular head and 20% for eyepiece)

### Culture Dish Holder



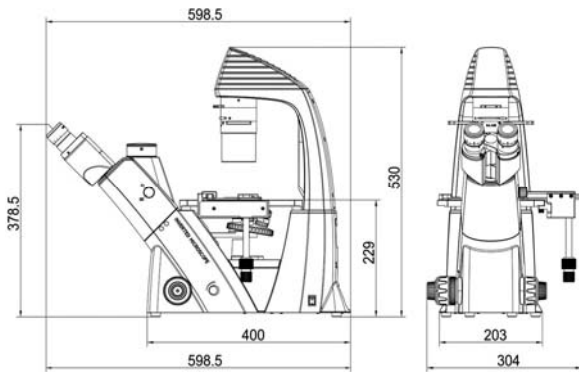
Knob can be changed by left or right

### Objective Parameter List (Cover-glass thickness 1.1mm)

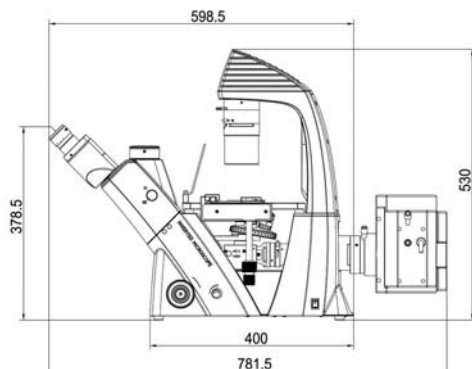
	Objectives	N.A.	Working distance(mm)
LWD Infinity Plan Objectives	LPL 4×	0.11	12.1
	LPL 10×	0.25	8.3
	LPL 20×	0.40	7.2
	LPL 40×	0.60	3.4
LWD Infinity Plan Phase Contrast Objectives	LPL Ph P 4×	0.10	9.2
	LPL Ph P 10×	0.25	8.3
	LPL Ph P 20×	0.40	7.2
	LPL Ph P 40×	0.60	3.4



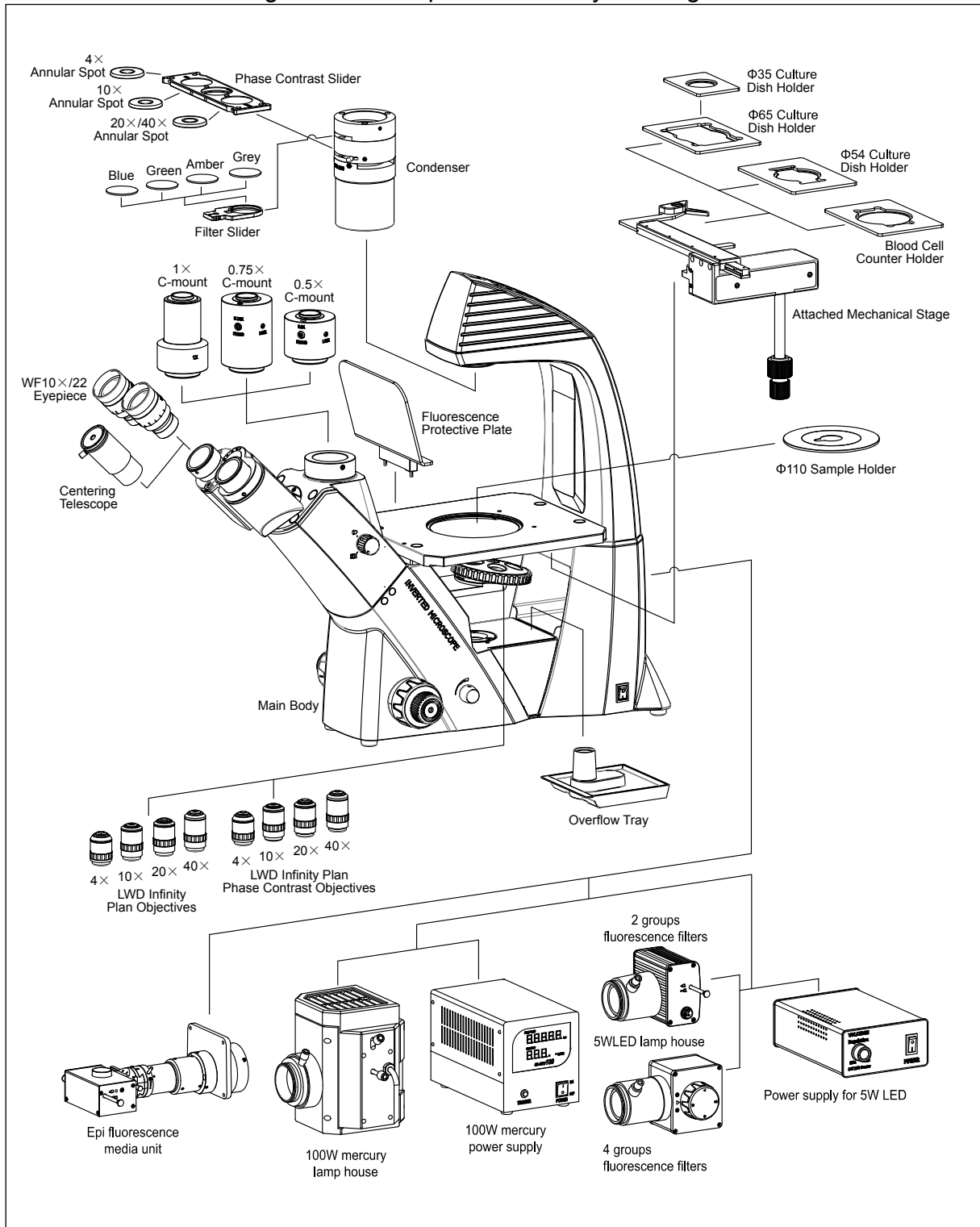
### BDS400 Inverted Biological Microscope Size(mm)



### BDS400 Inverted Fluorescence Microscope Size(mm)



# BDS400 Inverted Biological Microscope General Layout Diagram



## BDS400 Inverted Biological Microscope Outfits

Item	Specification	Outfits
Eyepiece	WF10× / 22mm (23mm is optional)	●●
LWD Infinity Plan Objectives	LPL 4× / 0.11 W.D.=12.1mm	○
	LPLAN 10× / 0.25 W.D.=8.3mm	●
	LPLAN 20× / 0.40 W.D.=7.2mm	●
	LPLAN 40× / 0.60 W.D.=3.4mm	●
LWD Infinity Plan Phase Contrast Objectives	LPL Ph P 4× / 0.10 W.D.=9.2mm	○
	LPL Ph P 10× / 0.25 W.D.=8.3mm	○
	LPL Ph P 20× / 0.40 W.D.=7.2mm	●
	LPL Ph P 40× / 0.60 W.D.=3.4mm	○
Annular Spot	10×/20×/ 40×	●
	4×	○
Seidentopf Trinocular Head	Inclined 45°, interpupillary distance: 48-76mm Light distribution (both): 100: 0 (100% for eyepiece) 80:20 (80% for trinocular head, and 20% for eyepiece)	●
Nosepiece	Quintuple	●
Mechanical Stage	Stage size: X×Y: 210×241mm, Round slide size: Φ110mm, Attached mechanical stage (available for 96 holes plate, moving range X×Y: 128×80mm.)	●
	65mm	○
Culture Dish Holder	54mm	●
	35mm	○
	blood cell counter	○
Condenser	Long working distance, Quickly detachable, N.A.0.3, Working distance: 72mm (with condenser), 195mm (without condenser).	●
Koehler Illumination	6V/30W (input voltage: 100V~240V)	●
Filter	Blue	●
	Green	●
	Amber	○
	Grey	○
C-mount	1× C-Mount (better for digital photograph)	○
	0.5× / 0.75× C-Mount (focus adjustable, better for digital camera)	○
Adaptor for Digital Photograph	Use for CANON / NIKON	○
	Epi fluorescence unit, field diaphragm, center adjustable.	○
Epi Fluorescence Illumination	100W mercury lamp (OSRAM)	○
	5WLED	○
	B, G, V, UV fluorescence filters can be chosen.	○
	Digital mercury lamp power box (input voltage: 100V~240V)	○

Note: "●" In Table Is Standard outfits, "○" Is Optional Accessories.

Packing Size: 660mm×590mm×325mm

Gross Weight: 18 kgs

Net Weight: 13.5 kgs